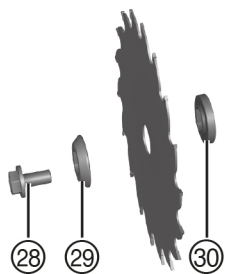
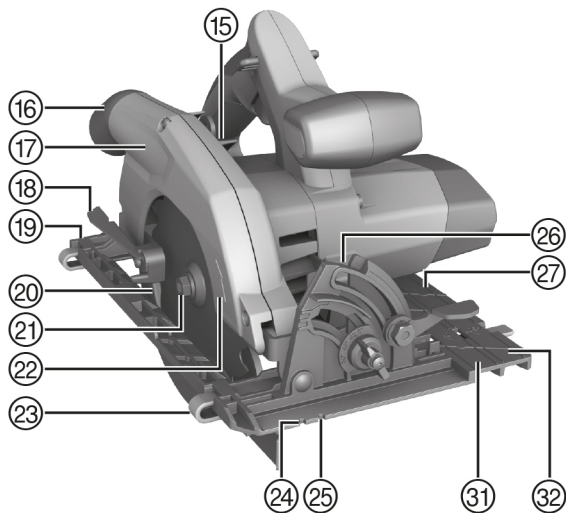
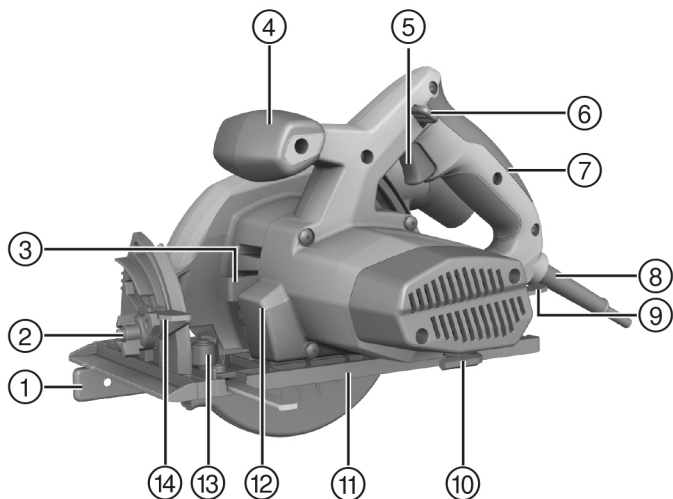




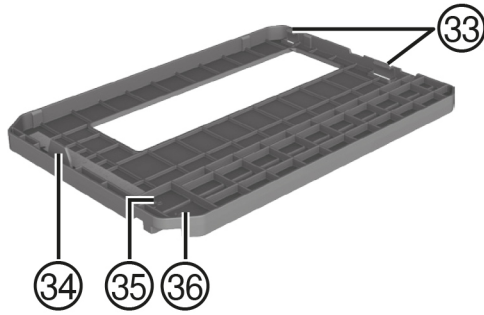
SC 55W

English  
עברית

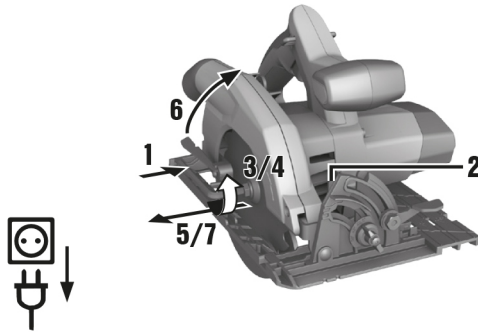
1  
12



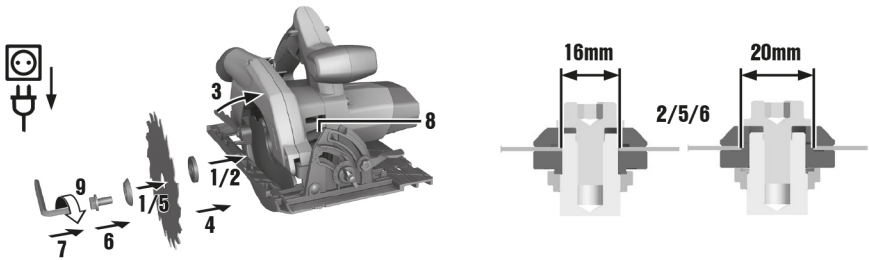
2



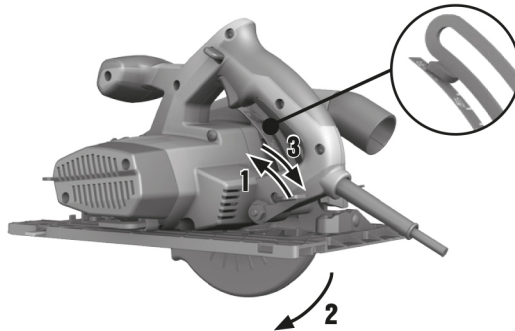
3



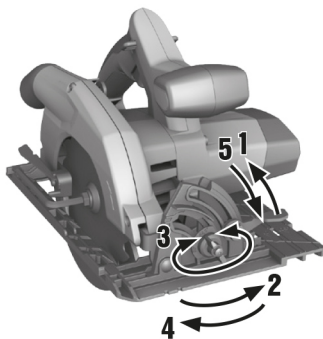
4



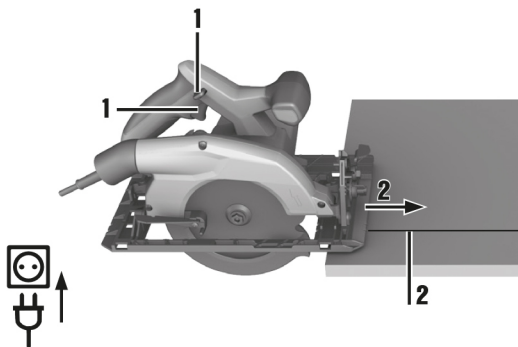
5



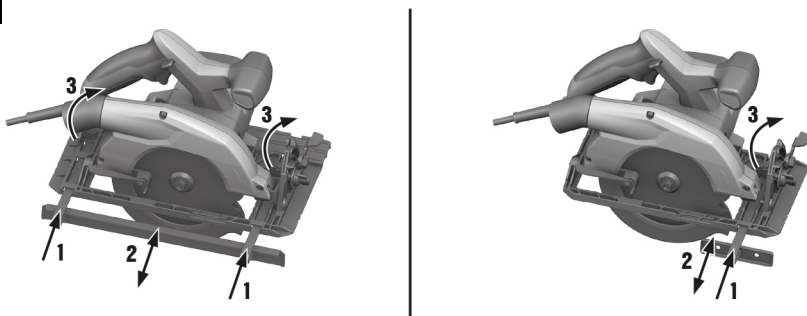
6



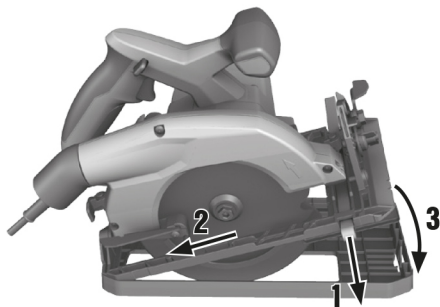
7



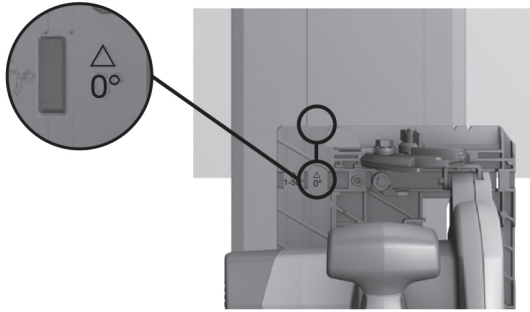
8



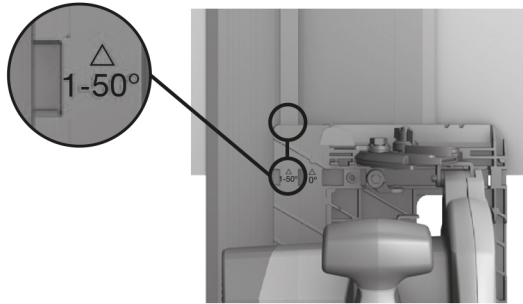
9



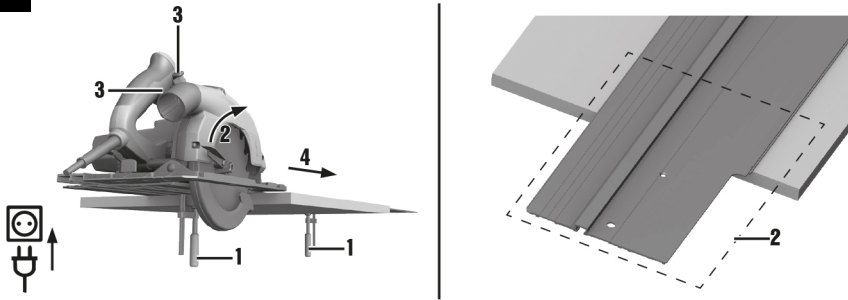
10



11



12



# SC 55W

en	Original operating instructions .....	1
he	הוראות הפעלה מקוריות .....	12

# Original operating instructions

## 1 Information about the operating instructions

### 1.1 About these operating instructions

- **Warning!** Read and understand all accompanying documentation, including but not limited to instructions, safety warnings, illustrations, and specifications provided with this product. Familiarize yourself with all the instructions, safety warnings, illustrations, specifications, components, and functions of the product before use. Failure to do so may result in electric shock, fire, and/or serious injury. Save all warnings and instructions for future reference.
- products are designed for professional users and only trained, authorized personnel are permitted to operate, service and maintain the products. This personnel must be specifically informed about the possible hazards. The product and its ancillary equipment can present hazards if used incorrectly by untrained personnel or if used not in accordance with the intended use.
- The accompanying documentation corresponds to the current state of the art at the time of printing. Please always check for the latest version on the product's page on Hilti's website. To do this, follow the link or scan the QR code in this documentation, marked with the symbol .
- Ensure that these operating instructions are with the product when it is given to other persons.

### 1.2 Explanation of symbols used

#### 1.2.1 Warnings

Warnings alert persons to hazards that occur when handling or using the product. The following signal words are used:

**DANGER**

**DANGER !**

- ▶ Draws attention to imminent danger that will lead to serious personal injury or fatality.

**WARNING**

**WARNING !**

- ▶ Draws attention to a potential threat of danger that can lead to serious injury or fatality.

**CAUTION**

**CAUTION !**

- ▶ Draws attention to a potentially dangerous situation that could lead to personal injury or damage to the equipment or other property.

#### 1.2.2 Symbols in the documentation

The following symbols are used in this document:

	Read the operating instructions before use.
	Instructions for use and other useful information
	Dealing with recyclable materials
	Do not dispose of electric equipment and batteries as household waste

#### 1.2.3 Symbols in the illustrations

The following symbols are used in illustrations:

	These numbers refer to the corresponding illustrations found at the beginning of these operating instructions
	The numbering reflects the sequence of operations shown in the illustrations and may deviate from the steps described in the text



	Item reference numbers are used in the <b>overview illustrations</b> and refer to the numbers used in the <b>product overview section</b>
	This symbol is intended to draw special attention to certain points when handling the product.

### 1.3 Product-dependent symbols

#### 1.3.1 Symbols on the product

The following symbols can be used on the product:

	Wireless data transfer
$n_0$	Rated speed under no load
	Protection class II (double-insulated)
	Saw blade

## 2 Safety

### 2.1 General power tool safety warnings

**⚠ WARNING** Read all safety warnings, instructions, illustrations and specifications provided with this power tool. Failure to follow all instructions listed below may result in electric shock, fire and/or serious injury. **Save all warnings and instructions for future reference.**

The term "power tool" in the warnings refers to your mains-operated (corded) power tool or battery-operated (cordless) power tool.

#### Work area safety

- ▶ **Keep work area clean and well lit.** Cluttered or dark areas invite accidents.
- ▶ **Do not operate power tools in explosive atmospheres, such as in the presence of flammable liquids, gases or dust.** Power tools create sparks which may ignite the dust or fumes.
- ▶ **Keep children and bystanders away while operating a power tool.** Distractions can cause you to lose control.

#### Electrical safety

- ▶ **Power tool plugs must match the outlet. Never modify the plug in any way. Do not use any adapter plugs with earthed (grounded) power tools.** Unmodified plugs and matching outlets will reduce risk of electric shock.
- ▶ **Avoid body contact with earthed or grounded surfaces, such as pipes, radiators, ranges and refrigerators.** There is an increased risk of electric shock if your body is earthed or grounded.
- ▶ **Do not expose power tools to rain or wet conditions.** Water entering a power tool will increase the risk of electric shock.
- ▶ **Do not abuse the cord. Never use the cord for carrying, pulling or unplugging the power tool. Keep cord away from heat, oil, sharp edges or moving parts.** Damaged or entangled cords increase the risk of electric shock.
- ▶ **When operating a power tool outdoors, use an extension cord suitable for outdoor use.** Use of a cord suitable for outdoor use reduces the risk of electric shock.
- ▶ **If operating a power tool in a damp location is unavoidable, use a residual current device (RCD) protected supply.** Use of an RCD reduces the risk of electric shock.

#### Personal safety

- ▶ **Stay alert, watch what you are doing and use common sense when operating a power tool. Do not use a power tool while you are tired or under the influence of drugs, alcohol or medication.** A moment of inattention while operating power tools may result in serious personal injury.
- ▶ **Use personal protective equipment. Always wear eye protection.** Protective equipment such as a dust mask, non-skid safety shoes, hard hat or hearing protection used for appropriate conditions will reduce personal injuries.
- ▶ **Prevent unintentional starting. Ensure the switch is in the off-position before connecting to power source and/or battery pack, picking up or carrying the tool.** Carrying power tools with your finger on the switch or energising power tools that have the switch on invites accidents.





- ▶ **Remove any adjusting key or wrench before turning the power tool on.** A wrench or a key left attached to a rotating part of the power tool may result in personal injury.
- ▶ **Do not overreach. Keep proper footing and balance at all times.** This enables better control of the power tool in unexpected situations.
- ▶ **Dress properly. Do not wear loose clothing or jewellery. Keep your hair and clothing away from moving parts.** Loose clothes, jewellery or long hair can be caught in moving parts.
- ▶ **If devices are provided for the connection of dust extraction and collection facilities, ensure these are connected and properly used.** Use of dust collection can reduce dust-related hazards.
- ▶ **Do not let familiarity gained from frequent use of tools allow you to become complacent and ignore tool safety principles.** A careless action can cause severe injury within a fraction of a second.

#### Power tool use and care

- ▶ **Do not force the power tool. Use the correct power tool for your application.** The correct power tool will do the job better and safer at the rate for which it was designed.
- ▶ **Do not use the power tool if the switch does not turn it on and off.** Any power tool that cannot be controlled with the switch is dangerous and must be repaired.
- ▶ **Disconnect the plug from the power source and/or remove the battery pack, if detachable, from the power tool before making any adjustments, changing accessories, or storing power tools.** Such preventive safety measures reduce the risk of starting the power tool accidentally.
- ▶ **Store idle power tools out of the reach of children and do not allow persons unfamiliar with the power tool or these instructions to operate the power tool.** Power tools are dangerous in the hands of untrained users.
- ▶ **Maintain power tools and accessories. Check for misalignment or binding of moving parts, breakage of parts and any other condition that may affect the power tool's operation. If damaged, have the power tool repaired before use.** Many accidents are caused by poorly maintained power tools.
- ▶ **Keep cutting tools sharp and clean.** Properly maintained cutting tools with sharp cutting edges are less likely to bind and are easier to control.
- ▶ **Use the power tool, accessories and tool bits etc. in accordance with these instructions, taking into account the working conditions and the work to be performed.** Use of the power tool for operations different from those intended could result in a hazardous situation.
- ▶ **Keep handles and grasping surfaces dry, clean and free from oil and grease.** Slippery handles and grasping surfaces do not allow for safe handling and control of the tool in unexpected situations.

#### Service

- ▶ **Have your power tool serviced by a qualified repair person using only identical replacement parts.** This will ensure that the safety of the power tool is maintained.

## 2.2 Safety instructions for all saws

### Cutting procedures

- ▶ **⚠ DANGER: Keep hands away from cutting area and the blade. Keep your second hand on auxiliary handle, or motor housing.** If both hands are holding the saw, they cannot be cut by the blade.
- ▶ **Do not reach underneath the workpiece.** The guard cannot protect you from the blade below the workpiece.
- ▶ **Adjust the cutting depth to the thickness of the workpiece.** Less than a full tooth of the blade teeth should be visible below the workpiece.
- ▶ **Never hold the workpiece in your hands or across your leg while cutting. Secure the workpiece to a stable platform.** It is important to support the work properly to minimise body exposure, blade binding, or loss of control.
- ▶ **Hold the power tool by insulated gripping surfaces, when performing an operation where the cutting tool may contact hidden wiring or its own cord.** Contact with a "live" wire will also make exposed metal parts of the power tool "live" and could give the operator an electric shock.
- ▶ **When ripping, always use a rip fence or straight edge guide.** This improves the accuracy of cut and reduces the chance of blade binding.
- ▶ **Always use blades with correct size and shape (diamond versus round) of arbour holes.** Blades that do not match the mounting hardware of the saw will run off-centre, causing loss of control.
- ▶ **Never use damaged or incorrect blade washers or bolt.** The blade washers and bolt were specially designed for your saw, for optimum performance and safety of operation.



**Kickback causes and related warnings**

- Kickback is a sudden reaction to a pinched, jammed or misaligned saw blade, causing an uncontrolled saw to lift up and out of the workpiece toward the operator;
- when the blade is pinched or jammed tightly by the kerf closing down, the blade stalls and the motor reaction drives the unit rapidly back toward the operator;
- if the blade becomes twisted or misaligned in the cut, the teeth at the back edge of the blade can dig into the top surface of the wood causing the blade to climb out of the kerf and jump back toward the operator.

Kickback is the result of saw misuse and/or incorrect operating procedures or conditions and can be avoided by taking proper precautions as given below.

- ▶ **Maintain a firm grip with both hands on the saw and position your arms to resist kickback forces. Position your body to either side of the blade, but not in line with the blade.** Kickback could cause the saw to jump backwards, but kickback forces can be controlled by the operator, if proper precautions are taken.
- ▶ **When blade is binding, or when interrupting a cut for any reason, release the trigger and hold the saw motionless in the material until the blade comes to a complete stop. Never attempt to remove the saw from the work or pull the saw backward while the blade is in motion or kickback may occur.** Investigate and take corrective actions to eliminate the cause of blade binding.
- ▶ **When restarting a saw in the workpiece, centre the saw blade in the kerf so that the saw teeth are not engaged into the material.** If a saw blade binds, it may walk up or kickback from the workpiece as the saw is restarted.
- ▶ **Support large panels to minimise the risk of blade pinching and kickback.** Large panels tend to sag under their own weight. Supports must be placed under the panel on both sides, near the line of cut and near the edge of the panel.
- ▶ **Do not use dull or damaged blades.** Unsharpened or improperly set blades produce narrow kerf causing excessive friction, blade binding and kickback.
- ▶ **Blade depth and bevel adjusting locking levers must be tight and secure before making the cut.** If blade adjustment shifts while cutting, it may cause binding and kickback.
- ▶ **Use extra caution when sawing into existing walls or other blind areas.** The protruding blade may cut objects that can cause kickback.

**Lower guard function**

- ▶ **Check the lower guard for proper closing before each use. Do not operate the saw if the lower guard does not move freely and close instantly. Never clamp or tie the lower guard into the open position.** If the saw is accidentally dropped, the lower guard may be bent. Raise the lower guard with the retracting handle and make sure it moves freely and does not touch the blade or any other part, in all angles and depths of cut.
- ▶ **Check the operation of the lower guard spring. If the guard and the spring are not operating properly, they must be serviced before use.** Lower guard may operate sluggishly due to damaged parts, gummy deposits, or a build-up of debris.
- ▶ **The lower guard may be retracted manually only for special cuts such as "plunge cuts" and "compound cuts". Raise the lower guard by the retracting handle and as soon as the blade enters the material, the lower guard must be released.** For all other sawing, the lower guard should operate automatically.
- ▶ **Always observe that the lower guard is covering the blade before placing the saw down on bench or floor.** An unprotected, coasting blade will cause the saw to walk backwards, cutting whatever is in its path. Be aware of the time it takes for the blade to stop after switch is released.

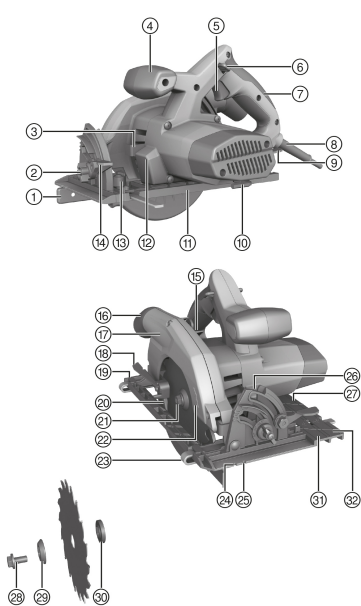
**2.3 Additional safety instructions for circular saws**

- ▶ Bring the saw blade into contact with the workpiece only when the circular saw is switched on.
  - ▶ The path of the saw must be free of obstructions above and below the workpiece. Do not saw into screws, nails or similar objects.
- ▶ Never work overhead with a circular saw.
- ▶ Never attempt to brake the saw blade by applying lateral pressure.
- ▶ Avoid overheating the tips of the saw blade teeth.
- ▶ When cutting plastic, avoid melting the plastic.
- ▶ Always use a saw blade that is suitable for the material you are going to saw.
- ▶ Use only saw blades recommended by Hilti that comply with the EN 847-1 standard.



### 3 Description

#### 3.1 Product overview 1



- ① Single-arm fence
- ② Cutting angle setting
- ③ Spindle lock button
- ④ Auxiliary grip
- ⑤ On/off switch
- ⑥ Switch-on interlock release button
- ⑦ Grip
- ⑧ Electric supply cable
- ⑨ Clamping lever for cutting depth adjustment
- ⑩ Hex key
- ⑪ Small base plate
- ⑫ LED illumination
- ⑬ Front clamping lever for the fence
- ⑭ Clamping lever for cutting angle adjustment
- ⑮ Cutting depth scale
- ⑯ Hose connector (vacuum cleaner)
- ⑰ Guard
- ⑱ Pivoting guard operating lever
- ⑲ Rear clamping lever for the fence (only with large base plate)
- ⑳ Pivoting guard
- ㉑ Arbor
- ㉒ Direction-of-rotation arrow
- ㉓ Twin-arm fence
- ㉔ 0° cutting line indicator
- ㉕ 45° cutting line indicator
- ㉖ Cutting angle scale
- ㉗ Large base plate
- ㉘ Clamping screw
- ㉙ Clamping flange
- ㉚ Mounting flange
- ㉛ 0° indicator on the base plate
- ㉜ 1° - 50° indicator on the base plate

#### 3.2 Overview of the guide rail adapter 2

- ③③ Rear retaining lug
- ③④ Front retaining lug
- ③⑤ 0° indicator
- ③⑥ 1° - 50° indicator

#### 3.3 Intended use

The product described is a circular saw. It is designed for cutting wood or wood-like materials, plastics, gypsum plasterboard, gypsum fiberboard and composite materials, up to a cutting depth of 55 mm, and for miter cuts at angles up to 50°.

##### 3.3.1 Possible misuse

Do not use saw blades not compliant with the technical data and do not use cutting discs, abrasive wheels or saw blades made of highly alloyed high speed steel (HSS steel). Do not use this power tool to saw metal.

#### 3.4 Items supplied

Circular saw, saw blade, hex key, rip fence, operating instructions.



**i** To help ensure safe and reliable operation, use only genuine Hilti spare parts and consumables. Spare parts, consumables and accessories approved by Hilti for use with the product can be found at your local **Hilti Store** or online at: [www.hilti.group](http://www.hilti.group)

## 4 Technical data

### 4.1 Technical data

**i** For details of the rated voltage, frequency, current and input power, refer to the country-specific type identification plate.

If the device is powered by a generator or transformer, the generator or transformer's power output must be at least twice the rated input power shown on the rating plate of the device. The operating voltage of the transformer or generator must always be within +5 % and -15 % of the rated voltage of the device.

<b>Product generation</b>	01
<b>Weight, small base plate</b>	4.5 kg
<b>Weight, large base plate</b>	4.7 kg
<b>Saw blade diameter</b>	160 mm ... 165 mm
<b>Saw blade disc thickness</b>	1.1 mm ... 1.5 mm
<b>Saw blade arbor size</b>	20 mm
<b>Cutting depth at 0°</b>	0 mm ... 55 mm
<b>Cutting depth at 45°</b>	0 mm ... 41 mm
<b>Cutting depth at 50°</b>	0 mm ... 37 mm
<b>No-load speed</b>	5,500 /min

### 4.2 Noise information and vibration values

The sound pressure and vibration values given in these instructions were measured in accordance with a standardized test and can be used to compare one power tool with another. They can also be used for a preliminary assessment of exposure.

The data given represent the main applications of the power tool. However, if the power tool is used for different applications, with different accessory tools, or is poorly maintained, the data can vary. This can significantly increase exposure over the total working period.

An accurate estimation of exposure should also take into account the times when the power tool is switched off, or when it is running but not actually being used for a job. This can significantly reduce exposure over the total working period.

Identify additional safety measures to protect the operator from the effects of noise and/or vibration, for example: maintaining the power tool and accessory tools, keeping the hands warm, organization of work patterns.

**i** Detailed information on the versions of the **EN 62841** standards applied here is to be found in the reproduction of the declaration of conformity 24.

#### Noise information

<b>Sound power level (<math>L_{WA}</math>)</b>	99 dB(A)
<b>Uncertainty for the sound power level (<math>K_{WA}</math>)</b>	3 dB(A)
<b>Sound pressure level (<math>L_{pA}</math>)</b>	91 dB(A)
<b>Uncertainty for the sound pressure level (<math>K_{pA}</math>)</b>	3 dB(A)

#### Vibration information

	<b>230 V</b>	<b>110 V</b>
<b>Triaxial vibration value when cutting wood (<math>a_{h1}</math>)</b>	1.77 m/s <sup>2</sup> (5.81 ft/s <sup>2</sup> )	2.12 m/s <sup>2</sup> (6.96 ft/s <sup>2</sup> )
<b>Uncertainty (K)</b>	1.5 m/s <sup>2</sup>	1.5 m/s <sup>2</sup>



## 5 Operation

### 5.1 Removing the saw blade

#### WARNING

**Risk of burns and cut injuries at saw blade, clamping screw and clamping flange** The consequences can be burns and cut injuries.

- ▶ Wear protective gloves when changing saw blades.

1. Disconnect the supply cord plug from the power outlet.
2. Insert the hex key into the saw blade securing screw.
3. Press the drive spindle lock button and hold it in this position.
4. Turn the saw blade clamping screw with the hex key until the spindle lock button engages fully.
5. Release the clamping screw by turning the hex key in the direction of the direction-of-rotation arrow.
6. Remove the clamping screw from the outer clamping flange.
7. Open the pivoting guard by swinging it to the side and then remove the saw blade.



If necessary, the mounting flange can be removed for cleaning.

### 5.2 Install saw blade

#### CAUTION

**Risk of damage!** Unsuitable or incorrectly fitted saw blades may damage the saw.

- ▶ Only use blades which are suitable for this saw. Observe the direction-of-rotation arrow on the saw blade.
- ▶ Use only saw blades equipped with a rated maximum permissible speed that is at least as high as the maximum speed stated on the product.

1. Disconnect the supply cord plug from the power outlet.
2. Clean the mounting flange and the clamping flange.
3. Fit the outer clamping flange the right way round (i.e. facing the right direction).
4. Open the pivoting guard.
5. Fit the new saw blade.
6. Install the outer clamping flange the right way round.
7. Insert the clamping screw.
8. Insert the hex key into the saw blade clamping screw.
9. Secure the clamping flange with the clamping screw by turning it clockwise. At the same time, use one hand to hold down the arbor lock button.
10. Before using the power tool, check that the saw blade is correctly seated and tightened securely.

### 5.3 Adjusting the cutting depth

1. Disconnect the supply cord plug from the power outlet.
2. Release the cutting depth adjustment clamping lever.
3. Lift the circular saw in a scissoring movement and set the cutting depth.
  - ▶ The cutting depth is shown on the cutting depth scale.



For a clean-edged cut, set cutting depth to the thickness of the material plus 2 mm.

4. Secure the cutting depth adjustment clamping lever.

### 5.4 Setting the miter cut angle

1. Disconnect the supply cord plug from the power outlet.
2. Release the cutting angle adjustment clamping lever.
3. Pivot the base plate to the desired miter cut angle.
  - ▶ The miter cutting angle is shown on the miter cut angle scale.
4. Tighten the cutting angle adjustment clamping lever.



## 5.5 Cutting line indicator

At the front edge of the base plate of the circular saw is a line indicator for straight cuts and miter cuts (0° and 45°). This permits accurate cutting at the desired miter angle. The edge of the line indicator corresponds to the inside of the saw blade. There is a cutting line indicator at the opening for the saw blade at the front end of the base plate.

### 5.5.1 Sawing along a line



Secure the workpiece to prevent movement.

Position the workpiece so that the saw blade is free to rotate beneath it.

Check that the on/off switch on the product is in the “off” position.

Position the forward section of the circular saw’s base plate on the workpiece but do not bring the blade into contact with the workpiece.

1. Switch on the circular saw.
2. Guide the circular saw along the cutting line on the workpiece at a suitable speed.

## 5.6 Sawing with the fence

The single-arm fence can be used to make accurate cuts along the edge of a workpiece or to rip strips of equal width. The fence can be fitted on either side of the base plate.

The twin-arm fence can be used only with the large base plate

When installing the fence, make sure that it is installed right way round.

## 5.7 Sawing with the guide rail.

Sawing with the guide rail can reduce the risk of kickback.

### 5.7.1 Inserting into / removing from the guide rail adapter



When using saws with a small base plate, please use a guide rail adapter that fits the guide rail.

1. Remove the fence, if one is fitted.
2. Fit the base plate into the rear retaining lugs of the guide rail adapter.
3. Bring the front edge of the base plate down fully into the guide rail adapter. The base plate must engage fully with the front retaining lug.
4. To remove, pull the front retaining lug forward slightly and remove the circular saw from the guide rail adapter.

### 5.7.2 Longitudinal cuts at 0°

- ▶ Place the circular saw on the guide rail with the groove marked “0°” on the rib on the rail.

### 5.7.3 Longitudinal cuts at angles up to 50°

#### CAUTION

**Risk of damage** If the saw is engaged in the wrong groove, the saw blade will collide with the guide rail.

- ▶ Place the saw in the correct groove.
- 
- ▶ Place the saw on the guide rail with the groove marked “1°- 50°” on the rib on the rail.

### 5.7.4 Using the saw on the guide rail

1. Secure the guide rail from below with two screw clamps.
2. Position the circular saw on the guide rail a short distance from the starting point of the cut. Open the guard manually when making longitudinal cuts (ripping) at cutting angles of 20°- 50°.



The saw must be placed on the guide rail behind the workpiece.

Take care to ensure that the saw blade is not in contact with the workpiece.

3. Switch on the circular saw.



4. Push the saw at a steady speed across the workpiece.
  - ▶ At cutting angles under 20° the pivoting guard opens automatically when it makes contact with the lateral actuating edge.
  - ▶ It closes again automatically when the saw leaves the end of the guide rail.

## 5.8 Sawing with or without sawdust extraction

The circular saw has a connector that fits common types of vacuum cleaner hose with a diameter of 27 mm. A suitable adapter might be required for connecting the vacuum-cleaner hose to the circular saw. If possible, always use a suitable mobile dust removal system for wood and wood and mineral materials. If you are working without a sawdust extractor, turn the ejector so that the sawdust is directed away from you.



Always use a filter class P2 dust mask and always ensure adequate ventilation to help minimize exposure to dust.

## 6 Care and maintenance

### 6.1 Care and maintenance



#### WARNING

**Electric shock hazard!** Attempting care and maintenance with the supply cord connected to a power outlet can lead to severe injury and burns.

- ▶ Always unplug the supply cord before carrying out care and maintenance tasks.

#### Care

- Carefully remove stubborn dirt from the tool.
- Clean the air vents carefully with a dry brush.
- Use only a slightly damp cloth to clean the casing. Do not use cleaning agents containing silicone as they can attack the plastic parts.

#### Maintenance



#### WARNING

**Danger of electric shock!** Improper repairs to electrical components may lead to serious injuries including burns.

- ▶ Repairs to the electrical section of the tool or appliance may be carried out only by trained electrical specialists.
- Check all visible parts and controls for signs of damage at regular intervals and make sure that they all function correctly.
- Do not operate the product if signs of damage are found or if parts malfunction. Have it repaired immediately by **Hilti** Service.
- After cleaning and maintenance, fit all guards or protective devices and check that they function correctly.



To help ensure safe and reliable operation, use only genuine Hilti spare parts and consumables. Spare parts, consumables and accessories approved by Hilti for use with the product can be found at your local **Hilti Store** or online at: [www.hilti.group](http://www.hilti.group).

### 6.2 Checks after cleaning and maintenance



After cleaning or maintenance, check that all safety devices are fitted and that they function faultlessly.

- ▶ To check the pivoting guard, open the guard fully by moving the guard operating lever.
  - ▶ The pivoting guard must close quickly and completely when the guard operating lever is released.

### 6.3 Cleaning the ejector



The saw blade must be removed during cleaning if necessary.



1. Disconnect the supply cord plug from the power outlet.
2. Remove the saw blade. 7
3. Clean the ejector.
4. Install the saw blade. 7
5. Check that moving parts are in full working order and do not jam and make sure there are no parts that are broken or damaged in such a way as to impair operation of the power tool.

#### 6.4 Cleaning the guard

1. Remove the saw blade. 7
2. Clean the parts of the guard carefully with a dry brush.
3. Use a suitable tool to remove deposits or cuttings from the inside surfaces of the parts of the guard.
4. Install the saw blade. 7

## 7 Troubleshooting

Trouble or fault	Possible cause	Action to be taken
The power tool does not develop full power.	The extension cord is too long or its gauge is inadequate.	▶ Use an extension cord of an approved length and/or of adequate gauge.
	The voltage provided by the electric supply is too low.	▶ Connect the power tool to a different electric supply.
The power tool does not work.	Interruption in the electric supply.	▶ Plug in another power tool or appliance and check whether it works.
	The supply cord or plug is defective.	▶ Have the power cord or the plug checked by a trained electrical specialist, and if necessary replaced by <b>Hilti</b> service.
	The on / off switch is defective.	▶ Have the product repaired by <b>Hilti</b> Service.
	The carbon brushes are worn.	▶ Have the product repaired by <b>Hilti</b> Service.
No suction power or reduced suction power	The chip ejector channel is blocked.	▶ Clean the ejector.  9
The pivoting guard does not close.	Safety device is clogged.	▶ Clean the guard.  10
The power tool vibrates more than usual.	The saw blade is fitted incorrectly.	▶ Remove the saw blade and install it again correctly.

## 8 Disposal

Most of the materials from which **Hilti** tools and appliances are manufactured can be recycled. The materials must be correctly separated before they can be recycled. In many countries, your old tools, machines or appliances can be returned to **Hilti** for recycling. Ask **Hilti** Service or your Hilti representative for further information.



- ▶ Do not dispose of power tools, electronic equipment or batteries as household waste!

## 9 RoHS (Restriction of Hazardous Substances)

Click on the link to go to the table of hazardous substances: [qr.hilti.com/r2937786](http://qr.hilti.com/r2937786).

There is a link to the RoHS table, in the form of a QR code, at the end of this document.





## 10 Manufacturer's warranty

---

- ▶ Please contact your local **Hilti** representative if you have questions about the warranty conditions.



### 1.1 על הוראות הפעלה אלו

- **אזהרה!** לפני השימוש במוצר יש לקרוא ולהבין את הוראות הפעלה המצורפות למוצר, כולל ההערות, הוראות הבטיחות והאזהרות, האיורים והמפרטים. יש ללמוד במיוחד את כל הוראות הבטיחות, האזהרות, המפרטים והפונקציות השונות של המוצר. התעלמות מהנחיה זו מובילה לסכנת התחשמלות, שריפה ופציעות קשות. שמור את הוראות הפעלה, כולל כל הוראות הבטיחות והאזהרות לצורך שימוש בעתיד.
- המוצרים של **HILTI** מיועדים למשתמש המקצועי, ורק אנשים מורשים, שעברו הכשרה מתאימה, רשאים לתפעל, לתחזק ולתקן אותם. אנשים אלה חייבים ללמוד באופן מיוחד את הסכנות האפשריות. המוצר המתואר והעדרים שלו עלולים להיות מסוכנים כאשר אנשים שלא עברו הכשרה מתאימה משתמשים בהם באופן לא מקצועי או כאשר משתמשים בהם שלא בהתאם לייעוד.
- הוראות הפעלה המצורפות נכתבו בהתאם לידיעות הטכנולוגיות במועד השליחה לדפוס. את הגרסה העדכנית ביותר אפשר למצוא תמיד בדף המוצר של Hilti. כדי להגיע לשם, יש לטרוק את קוד ה-QR בהוראות הפעלה האלה, מסומן בסמל
- אם אתה מעביר את המוצר לאדם אחר, מסור לו גם את הוראות הפעלה האלה.

### 1.2 הסבר הסימנים

#### 1.2.1 אזהרות

האזהרות מזדהרות מפני סכנות בשימוש במוצר. במדריך זה מופיעות מילות המפתח הבאות:

**סכנה**

**סכנה!**

← מציינת סכנה מיידית, המובילה לפציעות גוף קשות או למוות.

**אזהרה**

**אזהרה!**

← מציינת סכנה אפשרית, שיכולה להוביל לפציעות גוף קשות או למוות.

**זהירות**

**זהירות!**

← מציינת מצב שעלול להיות מסוכן ולהוביל לפציעות גוף או לנזקים לרכוש.

#### 1.2.2 סמלים במסמך זה

הסמלים הבאים מופיעים בתיעוד זה:

קרא את הוראות הפעלה לפני השימוש	
הנחיות לשימוש ומידע שימושי נוסף	
טיפול נכון בחומרים למיחזור	
אין להשליך לפסולת הביתית מכשירים חשמליים וסוללות	

#### 1.2.3 סמלים באיורים

הסמלים הבאים משמשים באיורים:

מספרים אלה מפנים לאיור המתאים בתחילת חוברת ההוראות	
המספרים באיורים משקפים את רצף הפעולות, והם עשויים להיות שונים מרצף הפעולות המצוינות בטקסט	3
מספרי הפריטים מופיעים באיור <b>סקירה</b> ותואמים את המספרים במקרא בפרק <b>סקירת המוצר</b>	
סימן זה אמור לעורר את תשומת לבך המיוחדת בעת השימוש במוצר.	



הסמלים הבאים עשויים להופיע על המוצר:

	תעבורת נתונים אלחוטית
$n_0$	מהירות סרק נקובה
	דירוג הגנה II (בידוד כפול)
	להב מסור

**2 בטיחות**
**2.1 הוראות בטיחות כלליות לכלי עבודה חשמליים**

**⚠ אזהרה קרא את כל הוראות הבטיחות, ההנחיות, האירוסים וההנחיות המוצגים לכלי העבודה החשמלי.** אי ציות להנחיות עלול להוביל להתחשמלות, לשרפה ו/או לפציעות קשות.

**שמור את כל הוראות הבטיחות וההנחיות לעיון בעתיד.**

המונח "כלי עבודה חשמלי" המשמש בהוראות הבטיחות מתייחס לכלי עבודה חשמליים המחוברים לרשת החשמל (עם כבל חשמל) או לכלי עבודה חשמליים המופעלים באמצעות סוללה נטענת (ללא כבל חשמל).

**בטיחות במקום העבודה**

- ▶ **שמור על אזור העבודה שלך בקי ודאג לתאורה מספקת.** חוסר סדר או תאורה לקויה במקום העבודה עלולים לגרום לתאונות.
- ▶ **אין להפעיל את כלי העבודה החשמלי בסביבה שקיימת בה סכנת פיצוץ או שינם בה נחלים, גדים או אבק דליקים.** כלי עבודה חשמליים יוצרים ניצוצות, שעלולים להצית את האבק או האדים.
- ▶ **הרחק ילדים ואנשים אחרים מכלי העבודה החשמלי במהלך השימוש בו.** אם דעתך תוסח אתה עלול לאבד את השליטה במכשיר.

**בטיחות בחשמל**

- ▶ **תקע החשמל של כלי העבודה החשמלי חייב להתאים לשקע החשמל.** אסור לשובת בשום אופן את תקע החשמל. אל תשתמש בשקע מתאם ביחד עם כלי עבודה חשמליים הכוללים הגנת הארקה. שימוש בתקעים חשמליים שלא עברו שינוי ושקעי חשמל מתאימים מפחית את הסיכון להתחשמלות.
- ▶ **מנע מגע של הגוף בשטחים מוארקים כגון צינורות, גופי חימום, תנורים ומקררים.** קיימת סכנה גבוהה להתחשמלות כאשר הגוף שלך מוארק.
- ▶ **הרחק כלי עבודה חשמליים מגשם או רטיבות.** חדירת מים לכלי העבודה החשמלי מגדילה את הסיכון להתחשמלות.
- ▶ **אל תשתמש בכלל החשמל למטרות שלא לשמן הוא נועד, לדוגמה: אל תרים את כלי העבודה החשמלי באמצעות הכבל ואל תנסה לנתק את התקע משקע החשמל במשיכה מהכבל.** הרחק את הכבל מחום, שמן, פינות חדות או מחלקים נעים. כבלים שנידוקו או שהסתבכו בחלקים אחרים מגדילים את הסיכון להתחשמלות.
- ▶ **כאשר אתה עובד עם כלי העבודה החשמלי בחוץ, השתמש רק בכבל מאריך המיועד לשימוש חיצוני.** שימוש בכלל מאריך המתאים לשימוש חיצוני מפחית את הסיכון להתחשמלות.
- ▶ **אם לא ניתן להימנע משימוש בכלי העבודה החשמלי בסביבה לחה, השתמש בממסר פחת.** השימוש בממסר פחת מפחית את הסיכון להתחשמלות.

**בטיחות של אנשים**

- ▶ **היה ערבי, שים לב למה שאתה עושה, ופעל בתבונה כאשר אתה עובד עם כלי עבודה חשמלי.** אל תפעיל כלי עבודה חשמליים כשאתה עייף או חתה השפעת סמים, אלכוהול או תרופות. די ברגע אחד של חוסר תשומת-לב בדמן השימוש בכלי העבודה החשמלי כדי לגרום פציעות קשות.
- ▶ **לפש תמיד צוה מגן ומשקפי מגן.** לבישת ציוד מגן אישי, כגון מסכת אבק, נעלי בטיחות מונעות החלקה, קסדת מגן או מגני שמיעה - בהתאם לסוג השימוש בכלי העבודה החשמלי - מקטינה את הסיכון לפציעות.
- ▶ **מנע הפעלה בשוגג.** ודא שכלי העבודה החשמלי כבוי לפני שאתה מחבר אותו לאספקת החשמל ו/או לפני שאתה מחבר את הסוללה ולפני הרמתו. אל תניח את אצבעך על המתג בדמן שאתה נושא את המכשיר ואל תחבר אותו לאספקת החשמל כאשר הוא מופעל, אחרת עלולות להיגרם תאונות.
- ▶ **הרחק כלי כוונות או מפתחות ברגים לפני שאתה מפעיל את כלי העבודה החשמלי.** כלי עבודה או מפתחות הנמצאים בקרבת חלקים מסתובבים עלולים לגרום פציעות.
- ▶ **הימנע מתנוחות גוף לא נכונות. עמוד באופן יציב ושומר תמיד על שיווי משקל.** כך תוכל לשלוט טוב יותר בכלי העבודה החשמלי במצבים לא צפויים.
- ▶ **לפש בגדים מתאימים.** אל תלבש בגדים רחבים או תכשיטים. הרחק את השער, הבגדים וכפפות מחלקים נעים. בגדים רופפים, תכשיטים ושיער ארוך עלולים להיתפס בחלקים נעים.



- ◀ כאשר ניתן להתקין התקני שאיבת אבק ולכידה יש לוודא שהם מחוברים לחשמל, ויש להקפיד להשתמש בהם בצורה כבונה. שימוש בהתקן שאיבת אבק מטפין את הסכנות הנובעות מהאבק.
  - ◀ אל תהיה שאנן בנושאי בטיחות ואל תעלם מהוראות בטיחות של כלי עבודה חשמליים, גם אם השתמשת במכשיר פעמים רבות ואתה מכיר אותו היטב. התנהגות רשלנית עלולה להוביל לפציעות קשות בתוך שניות.
- שימוש וטיפול בכלי העבודה החשמלי**
- ◀ אל תפעיל עומס רב מדי על המכשיר. השתמש בכלי העבודה החשמלי המתאים לעבודה שאתה מבצע. כלי העבודה החשמלי המתאים מבטיח לך עבודה טובה ובטוחה יותר בתחום ההספק הנקוב.
  - ◀ אל תשתמש בכלי העבודה אם המתג שלו אינו תקין. כלי עבודה חשמלי שלא ניתן עוד להפעיל או לכבות אותו מהווה סכנה ויש לתקנו.
  - ◀ נתק את תקע החשמל מהשקע ו/או הסר את הסוללה לפני שאתה מבצע כוונונים במכשיר, מחליף כלים או לאחר שאתה מפסיק לעבוד עם המכשיר. אמצעי זהירות זה מונע הפעלה בשוגג של כלי העבודה החשמלי.
  - ◀ שמור כלי עבודה חשמליים שאינם בשימוש הרחק מהישג ידם של ילדים. אל תאפשר לאנשים שאינם יודעים כיצד להשתמש במכשיר או שלא קראו את ההוראות להשתמש במכשיר. כלי עבודה חשמליים הם מסוכנים כאשר משתמשים בהם אנשים חסרי ניסיון.
  - ◀ טפל בכלי עבודה חשמליים ובאביזרים בהקפדה. בדוק אם החלקים הנעים פועלים בצורה חלקה ואינם נתקעים, אם ישנם חלקים שבורים או מקולקלים המשבשים את הפעולה התקינה של כלי העבודה החשמלי. לפני השימוש במכשיר דאג לתיקון חלקים לא תקינים. תאונות רבות נגרמו עקב תחזוקה לקויה של כלי עבודה חשמליים.
  - ◀ שמור על כלי החיתוך חדים ונקיים. כלי חיתוך מטופלים היטב, שלהביהם חדים נתקעים פחות וקלים יותר לתפעול.
  - ◀ השתמש בכלי העבודה החשמלי, באביזרים, בכלי העבודה הנוספים וכן הלאה בהתאם להוראות אלה. התחשב בתנאי העבודה ובפעולה שעליך לבצע. שימוש בכלי העבודה החשמלי למטרות אחרות מאלה שלשמן הוא מיועד עלול להיות מסוכן.
  - ◀ שמור על ידיות ואזורים אחיזה נקיים ממלכוך משומן ומגריז. ידיות ואזורים אחיזה חלקים אינם מאפשרים תפעול בטוח ושליטה טובה בכלי העבודה החשמלי במצבים לא צפויים.

- שירות**
- ◀ דאג לתיקון כלי העבודה החשמלי שלך רק בידי טכנאים מוסמכים, המשתמשים בחלקי חילוף מקוריים בלבד. כך הנטיח שמירה על בטיחות העבודה במכשיר.

**2.2 הוראות בטיחות לכל המסורים**

**תהליך חיתוך**

- ◀ **⚠ סכנה:** אל תשלח ידיים לאזור המסור ולדיסק המסור. אחוז בידך הנשייה בידיה הנוספת או בבית המנוע. אם שתי ידיך יחדיו במסור, הדיסק לא יוכל לפצוע אותך.
- ◀ אל תאחד מתחת לחלק שבעבודה. מגן הדיסק אינו יכול להגן עליך מפני דיסק המסור מתחת לחלק שבעבודה.
- ◀ התאם את עומק החיתוך לעובי החלק שבעבודה. הדיסק צריך לבלוט מתחת לחלק שבעבודה גובה שן מלאה.
- ◀ בשום אופן אל תחזיק בידך או ברגליך את החלק שברצונך לנסר. חזק את החלק שבעבודה למקום יציב. חשוב מאוד ליציב היטב את החלק שבעבודה כדי למזער את הסיכון למגע בגוף, להיתקעות של דיסק המסור או לאיבוד השליטה במסור.
- ◀ כאשר אתה מבצע עבודת שברן הכלי עלול לפגוע בקווי חשמלי מוסתרים או בכבל החשמל של המכשיר החזק את כלי העבודה החשמלי רק במקומות האחיזה המבודדים. נגיעה בקו המוליך חשמל תעביר זרם גם לחלקים המתכתיים של כלי העבודה החשמלי וכן עלולה לגרום להתחשמלות.
- ◀ בעת חיתוך לאורך החלק יש להשתמש תמיד במוליך. המוליך משפר את הדיוק בחיתוך ומפחית את הסיכוי להיתקעות דיסק המסור.
- ◀ השתמש תמיד בדיסקי מסור בגודל הנכון ובעלי קדח מתאים (כגון בצורת כוכב או עגול). דיסקי מסור שאינם מתאים לרכיבי החיבור של המסור יסתובבו בצורה לא עגולה ויגרמו לאבדן השליטה.
- ◀ לעולם אין להשתמש בדיסקיות (שייבות) לדיסק המסור או בברגים אם הם פגומים או לא מתאימים. דסקיות המסור והברגים תוכננו במיוחד עבור המסור שלך, כדי לספק ביצועים ובטיחות מיטביים.

**רתע - סיבות והוראות בטיחות מתאימות**

- רתע זו תגובה פתאומית כתוצאה מהיתקעות או תנועה לא טובה של להב המסור, הגורמת לכך שהמסור מתרומם ללא שליטה וזדנק מהחלק שבעבודה החוצה לכיוון האדם המפעיל את המסור;
  - אם לחריץ המנוסר נסגר ועקב כך להב המסור נתקע, המסור ייחסם וכוח המנוע יזרוק את המסור לכיוון המפעיל;
  - אם להב המסור מסתובב בצורה לא טובה בחתך, השיניים של הקצה האחורי של להב המסור עלולות להיתקע בפני השטח של החלק שבעבודה, ועקב זאת להב המסור ינוע אל מחוץ לחריץ המנוסר והמסור יקפוז לאחור לכיוון המפעיל.
- רתע נוצר כתוצאה של שימוש שגוי במסור. ניתן למנוע אותו בעזרת אמצעי הזהירות המוסברים להלן.
- ◀ אחוז את המסור היטב בשתי ידיך והחזק את זרועותיך בתנוחה שבה יוכלו לספוג את כוחות הרתע. עמוד תמיד בצד להב המסור, לעולם אל תביא את המסור לקו אחד עם הגוף שלך. במקרה של רתע המסור העגול עשוי לקפוז לאחור, אולם המפעיל עדיין יכול לשלוט בכוחות הרתע אם יבקוט את אמצעי הזהירות המתאימים.
  - ◀ במקרה שהמסור נתקע או שאתה מפסיק לעבוד, כבה את המסור והחזק אותו יציב בחלק שבעבודה עד שלהב המסור נעצר. אל תנסה בשום אופן להרחיק את להב המסור מהחלק שבעבודה או למשוך אותו אחורה כל עוד להב המסור מסתובב, אחרת עלול להתרחש רתע. ברה את הסיבה להיתקעות של להב המסור וטפל בבעיה.



- ◀ אם תרצה להפעיל מחדש מסור שתקוע בחלק שבעבודה, עליך למרכז את להב המסור בחריץ המנוסר ולוודא ששיני הלהב אינן תקועות בחלק. אם להב המסור ייתקע הוא עלול לנוע אל מחוץ לחלק שבעבודה או לגרום לרתע כשתפעיל מחדש את המסור.
- ◀ לפני ניסור לוחות גדולים יש לתמוך אותם מלמטה, כדי למנוע רתע עקב היתקעות של להב המסור. לוחות גדולים עשויים להתכופף תחת משקלם העצמי. יש לתמוך לוחות גדולים מלמטה משני צדיהם, גם בקרבת החריץ המנוסר וגם בקצה.
- ◀ אל תשתמש בלהבי מסור כהים או פגומים. להבי מסור פגומים או בעלי שיניים לא מתאימות ינסרו חריץ צר מדי, שיגרום לחיכוך מוגבר, להיתקעות להב המסור ולרתע.
- ◀ יש לקבוע את עומק החיתוך וזווית החיתוך לפני תחילת העבודה ולהדק היטב. אם הכווננים האלה ישתנו במהלך הניסור, המסור עלול להיתקע ולגרום לרתע.
- ◀ מיה זהיר במיוחד בניסור קירות קיימים או חלקים דומים. כאשר להב המסור חודר פנימה הוא עשוי להיחסם על ידי עצמים מוסתרים ולגרום לרתע.

#### תפקוד מגן הלהב התחתון

- ◀ בדוק לפני כל שימוש אם מגן הלהב התחתון נסגר בצורה חלקה. אל תשתמש במסור אם מגן הלהב התחתון אינו נע בחופשיות ואינו נסגר מיד. לעולם אין לקשור או לתפוס את מגן הלהב התחתון במצב פתוח. אם המסור ייפול לרצפה מגן הלהב התחתון עלול להתעקם. פתח את המגן באמצעות ידי המשיכה וודא שהוא נע בחופשיות, ושכלל זוויות ועומקי החיתוך הוא אינו נוגע בלהב המסור או בחלקים אחרים.
- ◀ בדוק את תפקוד הקפיץ של מגן הלהב התחתון. אם מגן הלהב התחתון והקפיץ אינם פועלים באופן מושלם דאג לתיקונם לפני תחילת העבודה. חלקים פגומים, משקעים דביקים או הצטברויות של נסורת ישבשו את פעולת מגן הלהב התחתון.
- ◀ פתח את מגן הלהב התחתון בידך רק לצורך ביצוע חיתוכים מיוחדים כגון חיתוכים בחדירה וחיתוכים בזווית. פתח את מגן הלהב התחתון באמצעות ידי המשיכה לאחור ואז שחרר את הידיית ברגע שהמסור חודר לחלק שבעבודה. בכל עבודות הניסור האחרות אמור מגן הלהב התחתון לפעול באופן אוטומטי.
- ◀ אל תניח את המסור על שולחן העבודה או על הקרקע לפני שלהב המסור כוסה על ידי מגן הלהב התחתון. להב מסור לא מוגן שעדיין לא נעצר ידחוף את המסור נגד כיוון החיתוך וינסר את כל מה שיימצא בדרכו. שים לב שהמסור ממשיך להסתובב מעט גם לאחר סיום העבודה.

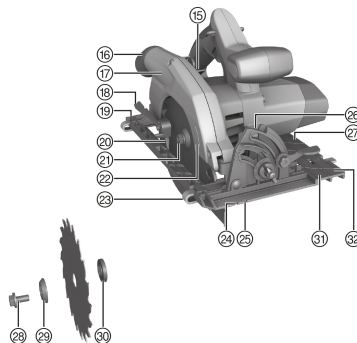
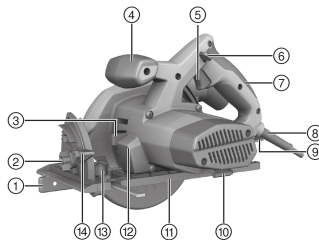
#### 2.3 הנחיות בטיחות נוספות למסורים עגולים

- ◀ הולך את המסור העגול הידני רק כשהוא מופעל נגד החלק שבעבודה.
- ◀ מסלול החיתוך צריך להיות פנוי ממכשולים למעלה ולמטה. אין לנסר ברגים, מסמרים וכדומה.
- ◀ לעולם אין לעבוד עם המסור מעל הראש.
- ◀ אין לבלום את המסור על ידי הטייתו הצדה.
- ◀ מנע התחממות יתר של חודי השיניים של הלהב.
- ◀ בעת חיתוך פלסטיק יש למנוע התכה של הפלסטיק.
- ◀ השתמש תמיד בדיסק המסור המתאים לחומר שבכוונתך לנסר.
- ◀ השתמש אך ורק בדיסקי מסור שהומלצו על ידי Hilti ועונים על דרישות התקן EN 847-1.



3.1 סקירת המוצר

- 1 מוליך מקבילי זרוע אחת
- 2 כוונן זווית חיתוך
- 3 כפתור חסימת ציר
- 4 ידית אחיזה נוספת
- 5 מתג הפעלה/כיבוי
- 6 לחצן חסימת הפעלה
- 7 ידית אחיזה
- 8 כבל חשמל
- 9 מנוף נעילת עומק חיתוך
- 10 מפתח אלן
- 11 לוחית בסיס קטנה
- 12 תאורת לד
- 13 מנוף נעילה למוליך המקבילי מלפנים
- 14 מנוף נעילת זווית חיתוך
- 15 סקאלת עומק חיתוך
- 16 מחבר שאיבת אבק
- 17 מגן דיסק
- 18 מנוף לתפעול מגן הלהב הקפיצי
- 19 מנוף נעילת המוביל המקבילי מאחור (רק עבור לוחית בסיס גדולה)
- 20 מגן דיסק קפיצי
- 21 ציר הנעה
- 22 חץ כיוון סיבוב
- 23 מוליך מקבילי שתי זרועות
- 24 סימון חתך 0°
- 25 סימון חתך 45°
- 26 סקאלת זווית חיתוך
- 27 לוחית בסיס גדולה
- 28 בורג הידוק
- 29 אוגן נגדי
- 30 אוגן בסיס
- 31 חריץ סימון 0° לוחית בסיס
- 32 סימון חריץ 1° - 50° לוחית בסיס



3.2 סקירת מתאם סרגל ההולכה

- 33 זדים אחוריים
- 34 זיד קדמי
- 35 חריץ סימון 0°
- 36 סימון חריץ 1° - 50°

3.3 שימוש בהתאם לייעוד

המוצר המתואר הוא מסור עגול. הוא מיועד לעבודות ניסור בעץ או בחומרים דומים, בפלסטיקים, בקרטון גבס, בלוחות גבס ובחומרים מרוכבים, עד לעומק חיתוך של 55 מ"מ וכן לחיתוכים אלכסוניים בזווית של עד 50°.

3.3.1 שימוש שגוי אפשרי

אסור להשתמש בדיסקי מסור שאינם תואמים את המפרט הטכני הדרוש, בדיסקי חיתוך, בדיסקי השחזה וכן בדיסקי מסור מפלדת HSS. אין לנסר מתכות.

3.4 מפרט אספקה

מסור עגול, להב מסור, מפתח אלן, מוליך מקבילי, הוראות הפעלה.



יצורך הפעלה בטוחה של המכשיר יש להשתמש רק בחלקי חילוף וחומרים מתכלים מקוריים. את חלקי החילוף, החומרים המתכלים והאביזרים שאושרו על-ידינו עבור המוצר שלך תמצא ב-Hilti Store שלך או בכתובת: [www.hilti.group](http://www.hilti.group)



#### 4 נתונים טכניים

##### 4.1 נתונים טכניים

את המתח הנקוב, הזרם הנקוב, התדירות וההספק הנקוב תמצא בלוחית הדגם הספציפית למדינתך.



בעת הפעלה באמצעות גנרטור או שנאי הספק המוצא שלהם חייב להיות לפחות כפול מההספק הנקוב המצוין על לוחית הדגם של המכשיר. מתח העבודה של השנאי או הגנרטור חייב להימצא תמיד בטווח שבין +5% לביץ 15% - ביחס למתח הנקוב של המכשיר.

דור המוצר	01
משקל, לוחית בסיס קטנה	4.5 ק"ג
משקל, לוחית בסיס גדולה	4.7 ק"ג
קוטר דיסק מסור	160 מ"מ ... 165 מ"מ
עובי דיסק של להב המסר	1.1 מ"מ ... 1.5 מ"מ
קדח חיבור של דיסק המסור	20 מ"מ
עומק חיתוך ב-0°	0 מ"מ ... 55 מ"מ
עומק חיתוך ב-45°	0 מ"מ ... 41 מ"מ
עומק חיתוך ב-50°	0 מ"מ ... 37 מ"מ
מהירות סיבוב טרק	5,500 סל"ד

##### 4.2 מידע על רעשים וערכי רעידות

ערכי לחץ הקול והרעידות המצוינים בהוראות אלה נמדדו בהתאם לנוהל המדידה התקני, וניתן להשתמש בהם לצורך השוואה בין כלי עבודה חשמליים. הם מתאימים גם להערכה זמנית של העומסים.

הנתונים המצוינים תקפים לשימושים העיקריים בכלי העבודה החשמלי. אולם אם משתמשים בכלי העבודה החשמלי לשימושים אחרים, בשילוב אביזרים אחרים או אם המכשיר אינו עובר תחזוקה מספקת, הנתונים עשויים להשתנות. בעקבות זאת פריסת העומסים למשך זמן העבודה כולו עשויה להיות גבוהה באופן משמעותי.

לצורך הערכה מדויקת של העומסים יש לקחת בחשבון גם את הזמנים שבהם כלי העבודה כבוי או שבהם הוא אמנם פועל אך אינו בשימוש בפועל. בעקבות זאת פריסת העומסים למשך זמן העבודה כולו עשויה להיות נמוכה באופן משמעותי.

יש לקבוע הנחיות בטיחות נוספות להגנה על המשתמש מפני ההשפעות של קול ו/או רעידות, כגון: תחזוקה של כלי העבודה החשמלי ושל כלי העבודה המחבורים, שמירה על ידיים חמות, ארגון תהליכי העבודה.

מידע מפורט על גרסאות תקני **EN 62841** הישימים תמצא בתמונת הצהרת התאימות 25.



##### מידע על רעשים

רמת הספק קול ( $L_{WA}$ )	99 dB(A)
אי-ודאות ברמת הספק הקול ( $K_{WA}$ )	3 dB(A)
מפלס לחץ קול ( $L_{pA}$ )	91 dB(A)
אי-ודאות ברמת לחץ קול ( $K_{pA}$ )	3 dB(A)

##### מידע על רעידות

ערך רעידות מרחבי בניסור עץ ( $a_h$ )	110 וולט	230 וולט
	2.12 מ' /שנ"2	1.77 מ' /שנ"2
	(6.96 רגל/שנ"2)	(5.81 רגל/שנ"2)
אי ודאות (K)	1.5 מ' /שנ"2	1.5 מ' /שנ"2




**5.1 הסרת דיסק המסור**



**סכנת כוויה או היחנתות מלהב המסור, מבורג ההידוק ומהאוגן הנגדי** כתוצאה מכך עלולות להיגרם כוויות ופציעות. השתמש בכפפות מגן כשאתה מחליף כלי.

1. נתק את תקע החשמל משקע רשת החשמל.
2. הכנס את המפתח אלן לבורג ההידוק של להב המסור.
3. לחץ על כפתור חסימת הציר והחזק אותו לחוץ.
4. סובב את בורג ההידוק של להב המסור בעזרת מפתח האלן עד שכפתור חסימת הציר ננעל לגמרי.
5. סובב את בורג ההידוק בעזרת מפתח האלן בכיוון של חץ כיוון הסיבוב כדי לשחרר את הבורג.
6. הוצא את בורג ההידוק ואת האוגן הנגדי החיצוני.
7. פתח את מגן הלהב הקפיצי והסר את להב המסור.

במקרה הצורך ניתן להסיר את אוגן הבסיס לצורך ניקוי. 

**5.2 התקנת דיסק מסור**




**סכנת דק! דיסקי מסור לא מתאימים או שחוברו שלא כהלכה עלולים לגרום נזק למסור.** השתמש רק בדיסקי מסור המתאימים למסור זה. שים לב לחץ כיוון הסיבוב על דיסק המסור. השתמש רק בדיסקי מסור שמהירות הסיבוב המותרת שלהם גבוהה לפחות כמו מהירות הסיבוב המרבית המצוינת על המוצר.

1. נתק את תקע החשמל משקע רשת החשמל.
2. נקה את אוגן הבסיס והאוגן הנגדי.
3. חבר את אוגן הבסיס בכיוון הנכון.
4. פתח את מגן הדיסק הקפיצי.
5. חבר להב מסור חדש.
6. חבר את האוגן הנגדי בכיוון הנכון.
7. חבר את בורג ההידוק.
8. הכנס את מפתח האלן לבורג ההידוק של להב המסור.
9. הדק את האוגן הנגדי בעזרת הבורג על ידי סיבובו בכיוון השעון. החזק תוך כך ביד אחת את כפתור חסימת הציר לחוץ.
10. לפני הפעלת המסור ודא שלהב המסור יושב היטב ונכון.

**5.3 כוונן עומק החיתוך**

1. נתק את תקע החשמל משקע רשת החשמל.
  2. שחרר את מנוף הנעילה של כוונן עומק החיתוך.
  3. הרים את המסור העגול בתנועת מספריים וקבע את עומק החיתוך.
- עומק החיתוך יוצג על סקאלת עומק החיתוך.

כדי להשיג חיתוך נקי, עומק החיתוך צריך להיות גדול ב-2 מ"מ מעובי החומר. 

4. קבע את מנוף הנעילה של כוונן עומק החיתוך.

**5.4 כוונן זווית החיתוך**

1. נתק את תקע החשמל משקע רשת החשמל.
  2. שחרר את מנוף הנעילה של כוונן זווית החיתוך.
  3. הטה את לוחית הבסיס לזווית החיתוך המבוקשת.
- זווית החיתוך תוצג על סקאלת זווית החיתוך.
4. הדק את מנוף הנעילה של כוונן זווית החיתוך.





## 5.5 סמן חיתוך

בלוחית הבסיס הקדמית של המסור העגול ישנו סמן חיתוך גם עבור חיתוך ישר וגם עבור חיתוך זוויתי ( $0^{\circ}$ - $45^{\circ}$ ). כך ניתן לבצע חיתוך מדויק בזווית החיתוך שנבחרה. קצה הסימון מקביל לצד הפנימי של להב המסור. בפתח הקדמי עבור המסור ישנו סמן חיתוך.

### 5.5.1 ניסור לפי סימון 7



הדק את החלק שבעבודה כך שלא יוכל לזוז ממקומו.  
ארגן את החלק בעבודה כך שדיסק המסור יוכל לנוע בחופשיות מתחתיו.  
ודא שמתג ההפעלה/כיבוי של המוצר נמצא במצב כבוי.  
הצב את המסור העגול עם לוחית הבסיס על החלק שבעבודה כך שעדיין לא יהיה מגע בין דיסק המסור לחלק שבעבודה.

1. הפעל את המסור העגול.
2. הולך את המסור העגול בקצב מתאים לאורך הסימון על פני החלק שבעבודה.

### 5.6 ניסור בעזרת מוליך מקביל 8

המוליך המקבילי החד-זרועי מאפשר חיתוכים מדויקים במקבל לקצה החלק וחיתוך של פסים מדויקים. ניתן להתקין את המוליך המקבילי משני צדי לוחית הבסיס.  
המוליך המקבילי עם שתי הזרועות אפשרי לשימוש רק עם לוחית הבסיס הגדולה.  
בעת התקנת המוליך המקבילי יש לשים לב שכיוון ההתקנה נכון.

### 5.7 ניסור עם סרגל הולכה.

שימוש בסרגל הולכה בזמן הניסור מפחית את הסיכון לרתע.

### 5.7.1 הצבה/הוצאה של המסור העגול במתאם סרגל ההולכה 9



במסורים בעלי לוחית בסיס קטנה יש להשתמש במתאם סרגל הולכה המתאים לסרגל ההולכה.

1. הסר את המוליך המקביל אם מחובר.
2. דחף את לוחית הבסיס על הידיים האחוריים של מתאם סרגל ההולכה.
3. הכנס את לוחית הבסיס במלואה מלפנים למתאם סרגל ההולכה. לוחית הבסיס צריכה להינעל במלואה בידי הקדמי.
4. להסרה משוך את הדיזי הקדמי מעט קדימה והוצא את המסור העגול ממתאם סרגל ההולכה.

### 5.7.2 חיתוכי אורך בזווית $10^{\circ}$

◀ הצב את המסור העגול עם סימון החריץ  $0^{\circ}$  על המוט של סרגל ההולכה.

### 5.7.3 חתכי אורך בזווית עד $50^{\circ}$ 11



**סכנת נזק** הצבת המסור על החריץ הלא נכון תגרום להתנגשות של דיסק המסור בסרגל ההולכה.  
◀ הצב את המסור בחריץ הנכון.

◀ הצב את המסור עם סימון החריץ  $50^{\circ}$ - $1^{\circ}$  על המוט של סרגל ההולכה.

### 5.7.4 ניסור עם סרגל הולכה 12

1. הודק את סרגל ההולכה מלמטה באמצעות שתי כליבות.
2. הצב את המסור העגול בחלק ההתחלתי של סרגל ההולכה. עבור חיתוכי אורך בזוויות חיתוך של  $20^{\circ}$  -  $50^{\circ}$  יש לפתוח ידנית את מגן הדיסק.




יש להציב את המסור העגול על סרגל ההולכה מאחורי החלק שבעבודה.  
ודא שלהב המסור אינו נוגע בחלק שבעבודה.

3. הפעל את המסור העגול.
4. דחף את המסור העגול בקצב אחיד מעל החלק שבעבודה.
  - ◀ כשמגן הדיסק נתקל בפינה הקטומה בזוויות חיתוך מתחת ל- $20^{\circ}$  הוא נפתח אוטומטית.
  - ◀ הוא נסגר בחזרה ביציאה מסרגל ההולכה.



**5.8 ביסור עם וולא שאיבת שבבים**

המסור העגול מצויד במחבר המיועד להתחבר לצינורות שאיבה סטנדרטיים בקוטר של 27 מ"מ. ייתכן שתזדקק למתאם כדי לחבר את צינור שואב האבק למסור העגול.  
השתדל להשתמש תמיד בשואב אבק בידי המיועד לעץ או לעץ ולחומרים מינרליים.  
אם אתה עובד ללא שאיבת אבק, כוונן את פליטת השבבים כך שהם יותבו הרחק ממך.

השתמש ככלל במסכת נשימה בדרגת סינון P2, ודאג לאוורור מספיק תמיד, כדי להפחית את כמות האבק שאתה נושם. 

**6 טיפול ותחזוקה**

**6.1 טיפול ותחזוקה**

**⚠ אזהרה**

**סכנת התחשמלות!** עבודות טיפול ותחזוקה כאשר תקע החשמל מחובר לשקע עלולות להוביל לפציעות ולכוויות קשות.  
⬅ לפני ביצוע עבודות טיפול או תחזוקה כלשהן יש להקפיד ולנתק את תקע החשמל!

**טיפול**


- הסר בזהירות לכלוך שנדבק.
- נקה בזהירות את חריצי האוורור באמצעות מברשת יבשה.
- נקה את גוף המכשיר רק בעזרת מטלית לחה מעט. אין להשתמש בחומרי טיפול המכילים סיליקון, מאחר שהם עלולים לפגוע בחלקי הפלסטיק.

**תחזוקה**


**⚠ אזהרה**

**סכנת התחשמלות!** תיקון לא מקצועי של רכיבים חשמליים עלול לגרום לפציעות קשות ולכוויות.  
⬅ רק חשמלאים מורשים רשאים לבצע תיקונים ברכיבים חשמליים.

- יש לבדוק באופן סדיר את כל החלקים הגלויים כדי לאתר נדקים ולוודא שכל הרכיבים פועלים באופן תקין.
- אם ישנם נדקים ו/או תקלות אין להפעיל את המוצר. הבא מיד את המכשיר לתיקון במעבדת שירות של **Hilti**.
- לאחר עבודות טיפול ותחזוקה יש להקפיד ולחבר את כל התקני ההגנה ולבדוק את תפקוד המכשיר.


לצורך הפעלה בטוחה של המכשיר יש להשתמש רק בחלקי חילוף וחומרים מתכלים מקוריים. את חלקי החילוף, החומרים המתכלים והאביזרים שאושרו על-ידינו עבור המוצר שלך תמצא ב-**Hilti Store** שלך או בכתובת: [www.hilti.group](http://www.hilti.group). 



**6.2 בדיקות לאחר עבודות טיפול ותחזוקה**

לאחר ביצוע עבודות טיפול ותחזוקה יש לבדוק שכל התקני ההגנה מותקנים ופועלים ללא תקלות. 

- ⬅ כדי לבדוק את מגן הדיסק הקפיצי פתח את המגן עד הסוף באמצעות הידית.
- ⬅ שחרר את הידית וודא שמגן הדיסק הקפיצי נסגר לגמרי במהירות.

**6.3 ניקוי תעלת השבבים**

ייתכן שתצטרך לפרק את דיסק המסור במהלך הניקוי. 

1. נתק את תקע החשמל משקע רשת החשמל.
2. הסר את דיסק המסור.  18
3. נקה את תעלת השבבים.
4. התקן את דיסק המסור.  18
5. בדוק אם החלקים הנעים פועלים בצורה חלקה ואינם נתקעים ואם ישנם חלקים שבורים או מקולקלים המשבשים את הפעולה התקינה של המכשיר.



**6.4 ניקוי התקני ההגנה**

1. הסר את דיסק המסור. 18
2. נקה את התקני ההגנה בזהירות בעזרת מברשת יבשה.
3. הסר משקעים ושכבים בחלק הפנימי של התקני ההגנה בעזרת כלי עבודה מתאים.
4. התקן את דיסק המסור. 18

**7 איתור תקלות**

פתרון	סיבה אפשרית	תקלה
◀ השתמש בכבל מאריך באורך מותר או בעל קוטר גדול מספיק.	◀ הכבל המאריך ארוך מדי ו/או הקוטר שלו קטן מדי.	המכשיר אינו פועל בעוצמה מלאה.
◀ חבר את המכשיר למקור מתח אחר.	◀ מתח אספקת החשמל במוך מדי.	המכשיר אינו פועל.
◀ חבר מכשיר חשמלי אחר ובדוק אם הוא פועל.	◀ אספקת החשמל נותקה.	
◀ הבא את כבל החשמל או התקע לבדיקה, ובמקרה הצורך לתיקון, אצל חשמלאי מוסמך או השירות של Hilti.	◀ כבל החשמל או תקע החשמל אינם תקינים.	
◀ פנה לשירות של Hilti כדי לתקן את המוצר.	◀ מתג הפעלה/כיבוי לא תקין.	
◀ פנה לשירות של Hilti כדי לתקן את המוצר.	◀ הפחמים נשחקו.	
◀ נקה את תעלת השבבים.  20	◀ תעלת השבבים סתומה.	אין שאיבה או השאיבה חלשה מאוד
◀ נקה את התקן ההגנה.  21	◀ התקן ההגנה סתום.	מגן הדיסק הקפיצי אינו נסגר.
◀ הסר את דיסק המסור והתקן אותו מחדש בצורה נכונה.	◀ דיסק המסור מותקן באופן שגוי.	המכשיר רועד יותר מהרגיל.

**8 סילוק**

המוצרים של Hilti מיוצרים בחלקם מגדול מחומרים ניתנים למיחזור. כדי שניתן יהיה למחזרם דרושה הפרדת חומרים מקצועית. במדינות רבות Hilti תקבל את המכשיר הישן שלך בחזרה לצורך מיחזור. פנה לשירות של Hilti או למשווק.

◀ אין להשליך כלי עבודה חשמליים, כלים אלקטרוניים וסוללות לפסולת הביתית!

**9 RoHS (תקנה להגבלת השימוש בחומרים מסוכנים)**

בקישור הבא תמצא את טבלת החומרים המסוכנים: [qr.hilti.com/r2937786](http://qr.hilti.com/r2937786).  
קישור לטבלת RoHS תמצא בסוף תיעוד זה, בצורת קוד QR.

**10 אחריות יצרן**

◀ אם יש לך שאלות בנושא תנאי האחריות, אנא פנה למשווק Hilti הקרוב אליך.







SC 55W

**en Declaration of conformity****Declaration of conformity**

The manufacturer declares, on his sole responsibility, that the product described here complies with the applicable legislation and standards.

The technical documentation is filed here:

**Hilti** Entwicklungsgesellschaft mbH | Tool Certification | Hiltistrasse 6 | D-86916 Kaufering, Germany

**Product information**

Circular saw	SC 55W
Generation	01
Serial no.	



**הצהרת תאימות**

היצרן מצהיר באחריותו הבלעדית כי המוצר המתואר כאן עונה על דרישות החוק התקפות והתקנים התקפים.

התיעוד הטכני שמור כאן:

Hilti Entwicklungsgesellschaft mbH | Zulassung Geräte | Hiltistraße 6 | 86916 Kaufering, Germany

**נתוני המוצר**

SC 55W	מסור עגול
01	דור
	מס' סידורי

**Hilti Corporation**  
Feldkircherstraße 100  
9494 Schaan | Liechtenstein



**SC 55W (01)**

2006/42/EC

EN 62841-1:2015, AC:2015, A11:2022

EN 62841-2-5:2014

2014/30/EU

EN IEC 55014-1:2021

EN IEC 55014-2:2021

2011/65/EU

EN IEC 61000-3-2:2019, A1:2021

EN 61000-3-11:2019

Schaan, 29.03.2024

**Dr. Tahar Zrilli**  
Head of Quality and Process Management  
Business Area Electric Tools & Accessories

**Edward-Louis Przybylowicz**  
Head of BU Power Tool & Accessories  
Business Area Electric Tools & Accessories



**en UK Declaration of Conformity****Declaration of conformity**

The manufacturer declares, on his sole responsibility, that the product described here complies with the applicable legislation and standards.

The technical documentation is filed here:

**Hilti** Entwicklungsgesellschaft mbH | Tool Certification | Hiltistrasse 6 | D-86916 Kaufering, Germany

**Product information**

Circular saw	SC 55W
Generation	01
Serial no.	

**Manufacturer:****Hilti Corporation**

Feldkircherstraße 100  
9494 Schaan | Liechtenstein

**SC 55W (01)**

Supply of Machinery (Safety) Regulations  
2008

Electromagnetic Compatibility Regulations  
2016

The Restriction of the Use of Certain  
Hazardous Substances in Electrical and  
Electronic Equipment Regulations 2012

**UK Importer:****Hilti (Gt. Britain) Limited**

No. 1 Circle Square, 3 Symphony Park  
Manchester, England, M1 7FS



EN 62841-1:2015, AC:2015, A11:2022

EN IEC 55014-1:2021

EN IEC 61000-3-2:2019, A1:2021

EN 62841-2-5:2014

EN IEC 55014-2:2021

EN 61000-3-11:2019

Schaan, 29.03.2024

**Dr. Tahar Zrilli**

Head of Quality and Process Management  
Business Area Electric Tools & Accessories

**Edward-Louis Przybyłowicz**

Head of BU Power Tool & Accessories  
Business Area Electric Tools & Accessories













Hilti Corporation  
LI-9494 Schaan  
Tel.:+423 234 21 11  
Fax:+423 234 29 65  
[www.hilti.group](http://www.hilti.group)



2112861