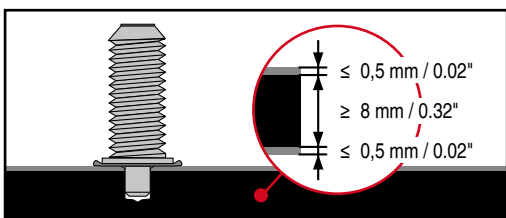
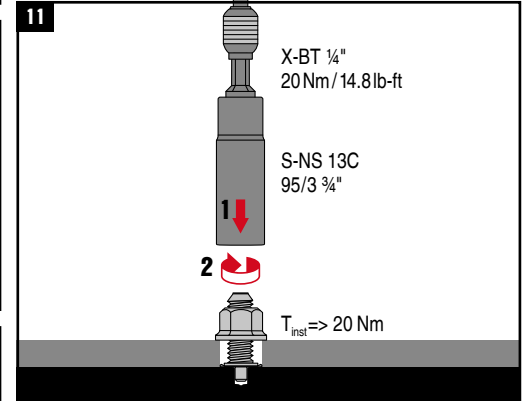
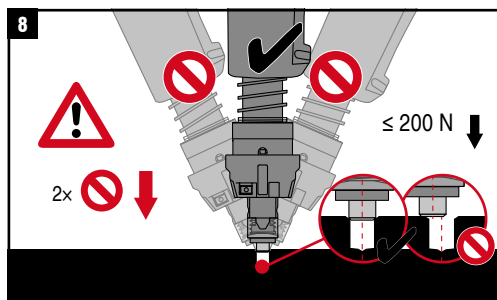
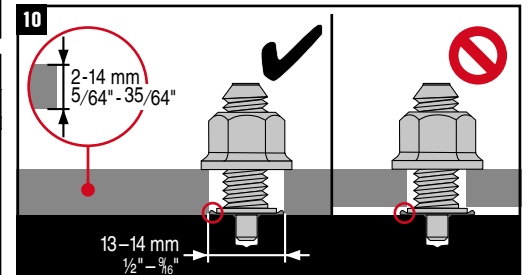
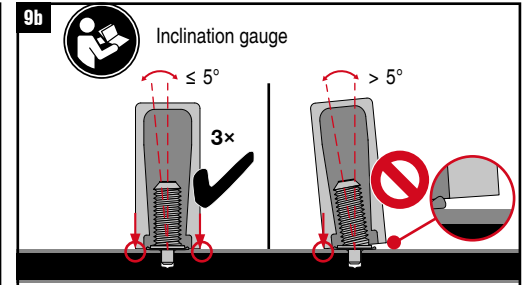
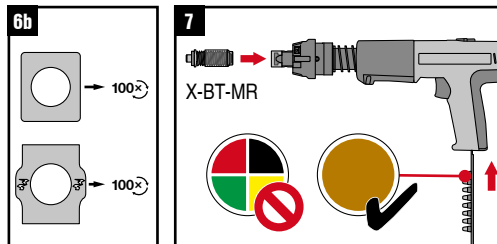
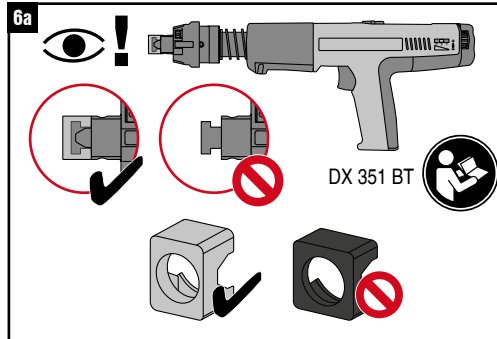
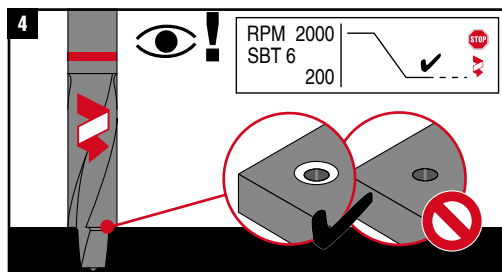
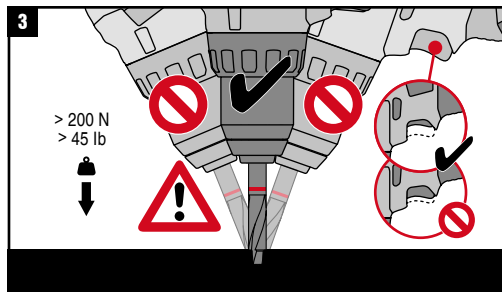
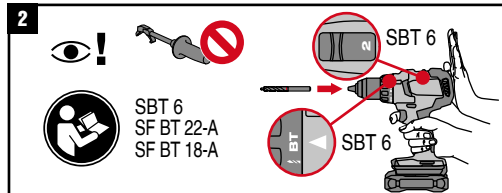
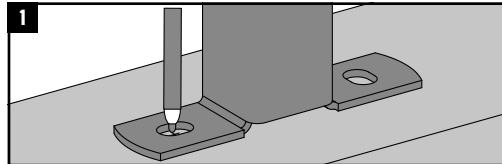
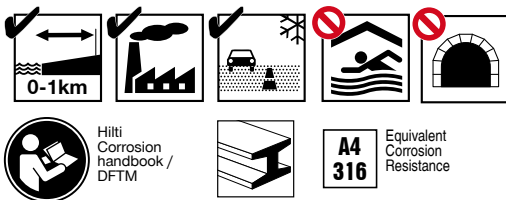




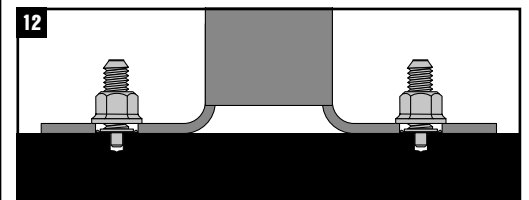
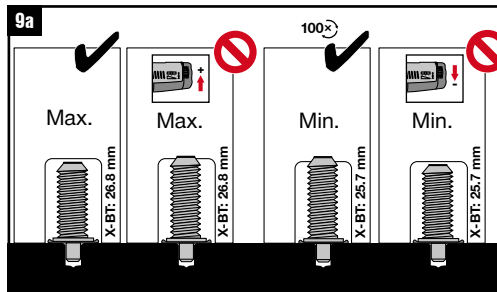
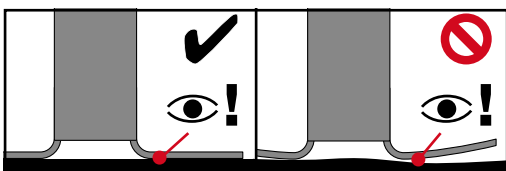
2203795-01.2025

CE
21
Hilti AG LI-9494 Schaan
Hilti-DX-DoP-008
ETA-20/1042
EAD 333037-00-0602
0672
0672-CPR-0934
Threaded studs for connection of materials to structural steel



Use with

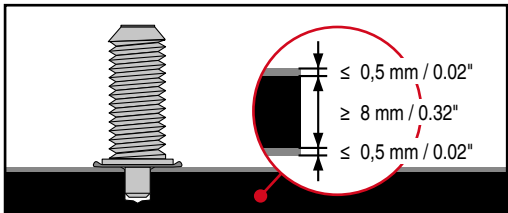
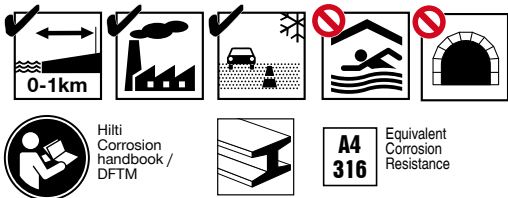
X-BT-MR M8/14 SN 8	SBT 6 SF BT 22-A SF BT 18-A	DX 351-BT	X-BT 1/4" 20 Nm / 14,8 ft lb	S-NS 13 C 95/3 3/4"	X-IG BT M8



CE
21
Hilti AG LI-9494 Schaan
Hilti-DX-DoP-008
ETA-20/1042
EAD 333037-00-0602
0672
0672-CPR-0934
Threaded studs for connection
of materials to structural steel



RINA



Use with					
X-BT-MR M8/14 SN 8	SBT 6 SF BT 22-A SF BT 18-A	BX 3-BT	X-BT 1/4" 20Nm/14.8 ft lb	S-NS 13 C 95/3 3/4	X-IG BT M8

